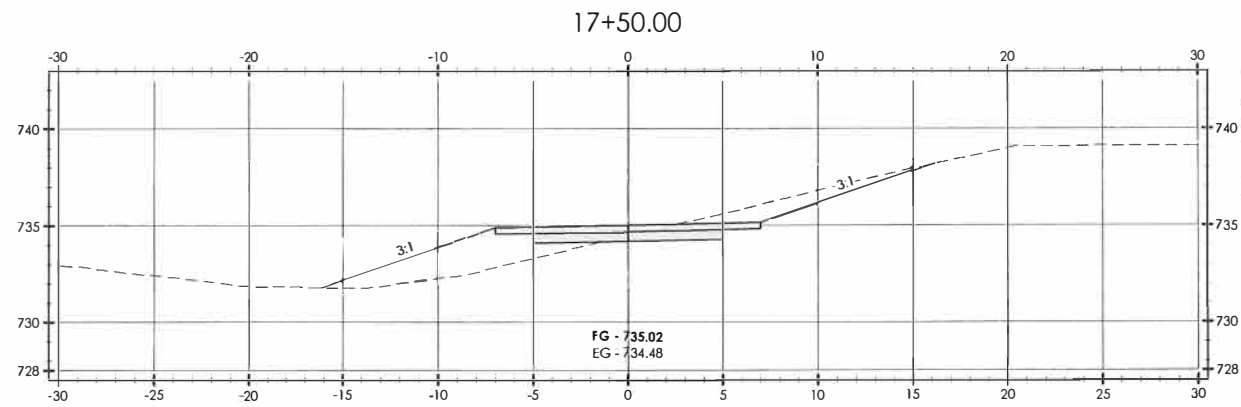
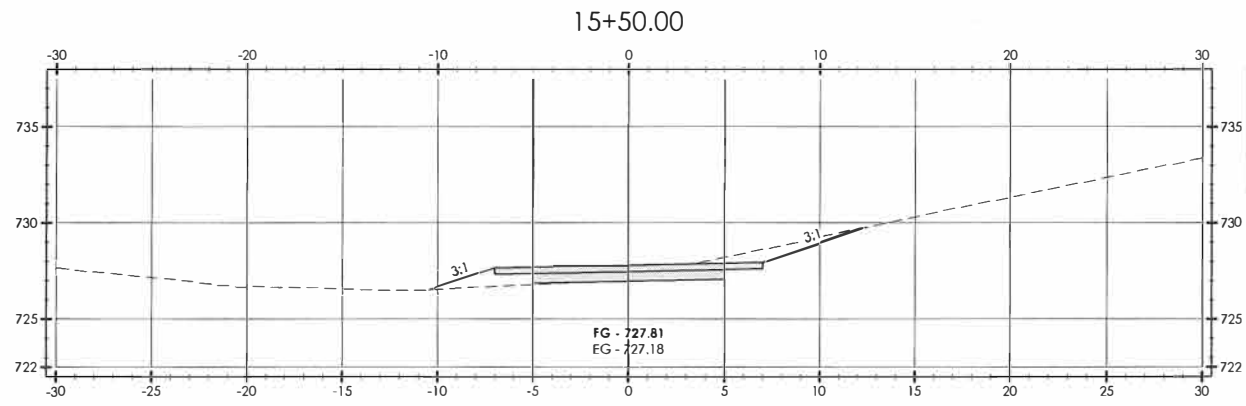


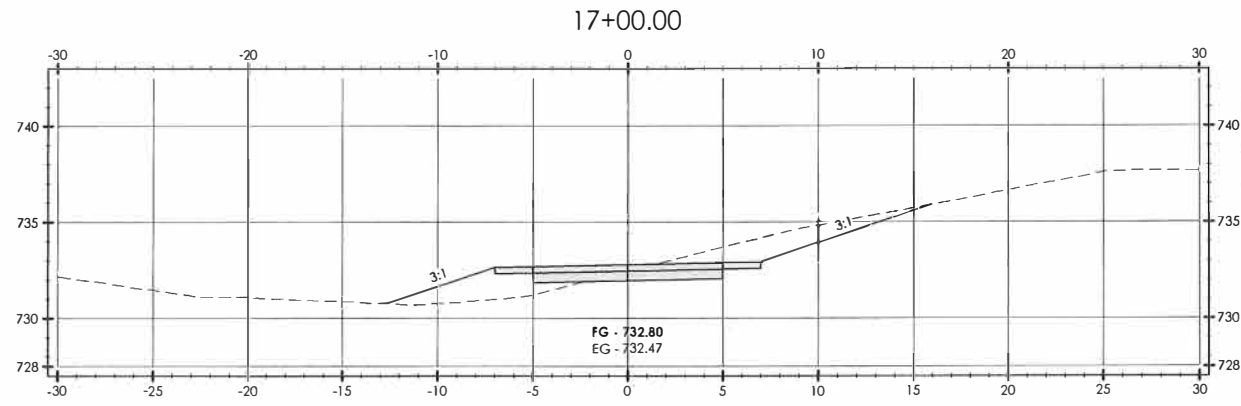
Trail Station 16+00.00	
Cut Area	11.52 SF
Cut Vol	17.14 CY
Fill Area	2.24 SF
Fill Vol	4.76 CY



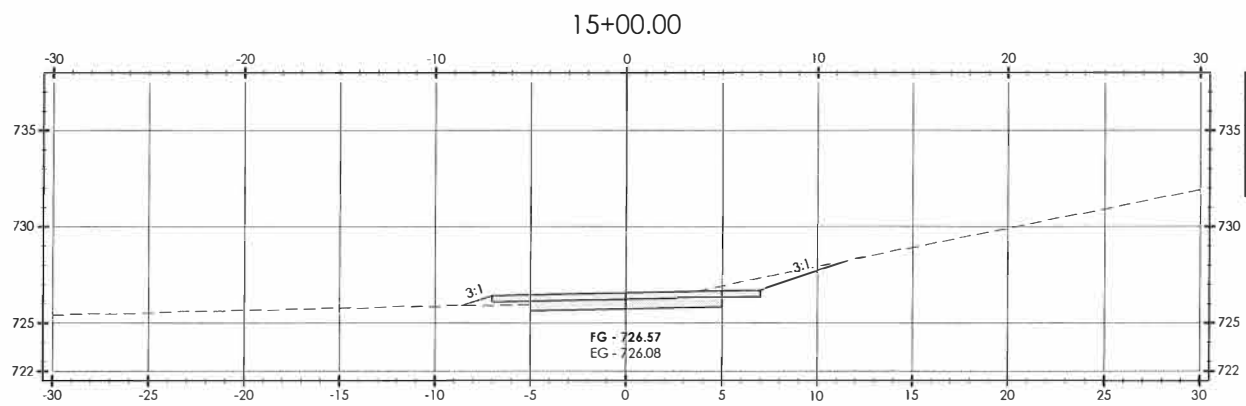
Trail Station 17+50.00	
Cut Area	10.91 SF
Cut Vol	23.42 CY
Fill Area	15.38 SF
Fill Vol	22.32 CY



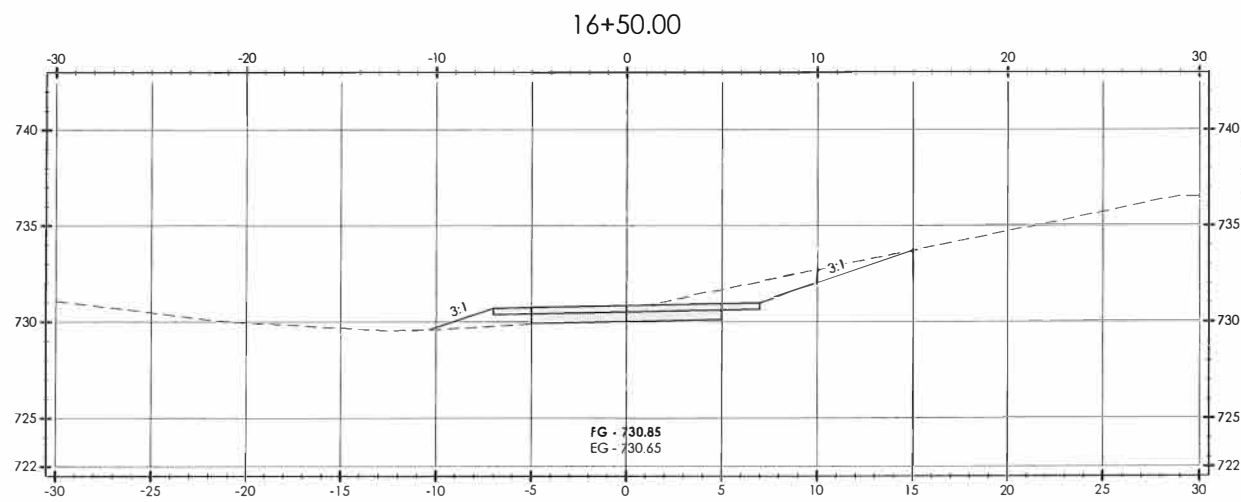
Trail Station 15+50.00	
Cut Area	7.18 SF
Cut Vol	14.08 CY
Fill Area	2.83 SF
Fill Vol	3.33 CY



Trail Station 17+00.00	
Cut Area	14.71 SF
Cut Vol	25.95 CY
Fill Area	8.32 SF
Fill Vol	10.22 CY

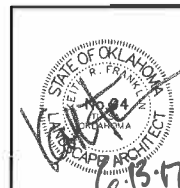


Trail Station 15+00.00	
Cut Area	8.15 SF
Cut Vol	16.19 CY
Fill Area	0.72 SF
Fill Vol	0.97 CY



Trail Station 16+50.00	
Cut Area	13.45 SF
Cut Vol	23.06 CY
Fill Area	2.55 SF
Fill Vol	4.49 CY

F:\582 Sand Springs Park Road Trail\Final\Civil 3D - Base Files\ParkRoadTrail-BASE-Final-R1.dwg, 6/12/2017 3:05:35 PM



City of Sand Springs - Park Road Trail			PREPARED BY: LANDPLAN CONSULTANTS	Tulsa County
Design	JM	7/16		
Drawn	JM/BB	8/16		
Checked	KF/JM	6/17		
Approved				
Squad	LandPlan		STATE JOB NO. 28844(04)	Sheet No. 49 of 63

CROSS SECTIONS SHEET (6)